



## Department of Energy

Office of Scientific and Technical Information  
Post Office Box 62  
Oak Ridge, Tennessee 37831

August 10, 2016

Re: OSTI-2016-01064-F

Dear Mr. Ravnitzky:

This is in final response to the request for information you sent to the Department of Energy (DOE), Office of Scientific and Technical Information (OSTI) under the Freedom of Information Act (FOIA), 5 U.S.C. 552 on June 22, 2016.

You requested a "copy of records, electronic, or otherwise, of each letter TO and FROM universities, companies, and organizations, from the OSTI 'cold fusion' documents collection." On July 11, 2016, you were emailed an interim response letter informing you of the need for OSTI to obtain release authorization from the Department of Energy. OSTI received notification to release the letters to you in their entirety on August 8, 2016. As a result, OSTI is releasing 72 cold fusion letters in this mailing on a CD-ROM because of the volume and file size of the PDFs.

In addition, there are approximately 13 letters that are currently being reviewed by the DOE's General Counsel Office (GC) for release or redaction. Upon receipt of guidance from GC, OSTI will release in whole or in part.

This decision, as well as the adequacy of the search, may be appealed within **90** calendar days from your receipt of this letter pursuant to 10 C.F.R. § 1004.8. Appeals should be addressed to Director, Office of Hearings and Appeals, HG-1, L'Enfant Plaza, U.S. Department of Energy, 1000 Independence Avenue, S.W., Washington, D.C. 20585-1615. The written appeal, including the envelope, must clearly indicate that a FOIA appeal is being made. You may also submit your appeal to [OHA\\_filings@hq.doe.gov](mailto:OHA_filings@hq.doe.gov), including the phrase "Freedom of Information Appeal" in the subject line. The appeal must contain all of the elements required by 10 C.F.R. § 1004.8, including a copy of the determination letter. Thereafter, judicial review will be available to you in the Federal District Court either: 1) in the district where you reside; 2) where you have your principal place of business; 3) where DOE's records are situated; or 4) in the District of Columbia.

You may contact OSTI's FOIA Public Liaison, Charlene Luther, Office of Preservation and Technology at 865.576.1138 or by mail at the Department of Energy, Office of Scientific and Technical Information, 1 Science.gov Way, Oak Ridge, TN 37830 for any further assistance and to discuss any aspect of your request. Additionally, you may contact the Office of Government Information Services (OGIS) at the National Archives and Records Administration to inquire about the FOIA mediation services they offer.

The contact information for OGIS is as follows: Office of Government Information Services, National Archives and Records Administration, 8601 Adelphi Road-OGIS, College Park, Maryland 20740-6001, e-mail at [ogis@nara.gov](mailto:ogis@nara.gov); telephone at 202-741-5770; toll free at 1-877-684-6448; or facsimile at 202-741-5769.

If you have any questions about the processing of the request or about this letter, please contact Madelyn M. Wilson at

Sincerely,



Madelyn M. Wilson  
FOIA Officer  
DOE OSTI  
1 Science.gov Way  
Oak Ridge, TN 37830

10  
5-27-90 JSS (1)

ORNL/TM-11356

# ORNL

## OAK RIDGE NATIONAL LABORATORY

**MARTIN MARIETTA**

### Initial Calorimetry Experiments in the Physics Division—ORNL

D. P. Hutchinson  
C. A. Bennett  
R. K. Richards  
J. S. Bullock IV  
G. L. Powell

New Energy Times

DO NOT MICROFILM  
COVER

OPERATED BY  
**MARTIN MARIETTA ENERGY SYSTEMS, INC.**  
FOR THE UNITED STATES  
DEPARTMENT OF ENERGY

DISTRIBUTION OF THIS DOCUMENT IS UNLIMITED

This report has been reproduced directly from the best available copy.

Available to DOE and DOE contractors from the Office of Scientific and Technical Information, P.O. Box 62, Oak Ridge, TN 37831; prices available from (615) 576-8401, FTS 626-8401.

Available to the public from the National Technical Information Service, U.S. Department of Commerce, 5285 Port Royal Rd., Springfield, VA 22161.  
NTIS price codes—Printed Copy: A02 Microfiche A01

This report was prepared as an account of work sponsored by an agency of the United States Government. Neither the United States Government nor any agency thereof, nor any of their employees, makes any warranty, express or implied, or assumes any legal liability or responsibility for the accuracy, completeness, or usefulness of any information, apparatus, product, or process disclosed, or represents that its use would not infringe privately owned rights. Reference herein to any specific commercial product, process, or service by trade name, trademark, manufacturer, or otherwise, does not necessarily constitute or imply its endorsement, recommendation, or favoring by the United States Government or any agency thereof. The views and opinions of authors expressed herein do not necessarily state or reflect those of the United States Government or any agency thereof.

## **DISCLAIMER**

**This report was prepared as an account of work sponsored by an agency of the United States Government. Neither the United States Government nor any agency thereof, nor any of their employees, makes any warranty, express or implied, or assumes any legal liability or responsibility for the accuracy, completeness, or usefulness of any information, apparatus, product, or process disclosed, or represents that its use would not infringe privately owned rights. Reference herein to any specific commercial product, process, or service by trade name, trademark, manufacturer, or otherwise does not necessarily constitute or imply its endorsement, recommendation, or favoring by the United States Government or any agency thereof. The views and opinions of authors expressed herein do not necessarily state or reflect those of the United States Government or any agency thereof.**

---

## **DISCLAIMER**

**Portions of this document may be illegible in electronic image products. Images are produced from the best available original document.**

ORNL/TM--11356

DE90 010301

Physics Division

**INITIAL CALORIMETRY EXPERIMENTS IN THE  
PHYSICS DIVISION--ORNL**

D. P. Hutchinson, C. A. Bennett, and R. K. Richards  
ORNL Physics Division

J. S. Bullock IV and G. L. Powell  
Y-12 Development Division

Date Published - May 1990

Prepared for the  
Office of Fusion Energy  
U.S. Department of Energy  
Washington, DC 20545  
Budget Activity No. AT 05 30 03 0

Prepared by the  
OAK RIDGE NATIONAL LABORATORY  
Oak Ridge, Tennessee 37831  
operated by  
MARTIN MARIETTA ENERGY SYSTEMS, INC.  
for the  
U.S. DEPARTMENT OF ENERGY  
under contract DE-AC05-84OR21400

**MASTER**

DISTRIBUTION OF THIS DOCUMENT IS UNLIMITED

02511 NFA/00 001

New Energy Times

**Table of Contents**

ABSTRACT .....	1
INTRODUCTION .....	1
EXPERIMENTAL APPARATUS .....	2
ELECTRODE PREPARATION .....	5
RESULTS .....	5
ADDITIONAL MEASUREMENTS .....	11
CONCLUSIONS .....	11
REFERENCES .....	11

New Energy Times



## INITIAL CALORIMETRY EXPERIMENTS IN THE PHYSICS DIVISION-ORNL

D. P. Hutchinson, C. A. Bennett, and R. K. Richards  
ORNL Physics Division

J. S. Bullock IV and G. L. Powell  
Y-12 Development Division

### ABSTRACT

Four calorimetry experiments were performed with palladium cathode electrolysis cells to investigate the possibility of cold fusion heat production based on the reported results of Fleischmann and Pons. Two of the cells contained 6.35-mm-diam  $\times$  10-cm-long palladium cathodes in a 0.2-M  ${}^6\text{LiOD}$  electrolyte; one cell contained a similar cathode in a 0.1-M  ${}^6\text{LiOD}$  electrolyte solution; and one cell used a cast 1.27-cm-diam  $\times$  10-cm-long palladium rod in a 0.2-M electrolyte. All four cells were constructed with platinum wire anodes. One of the cells exhibited an apparent 2-3 W power excess for a period of approximately 300 hours of a total operating time of 1800 hours; each of the remaining cells remained in power balance for the 1800 hour period.

### INTRODUCTION

Immediately following the announcement by Fleischmann and Pons<sup>1</sup> at the University of Utah of the discovery of cold fusion in an electrolysis cell containing a palladium cathode, several experiments were begun at ORNL to investigate this claim. A number of electrolysis cells were constructed using palladium foil cathodes and platinum gauze anodes in an attempt to measure cold fusion produced neutrons. A neutron counter was assembled using NE213 scintillator detectors, which employed pulse shape discrimination to reduce the effective gamma ray background. The background count rate of this detector was approximately 90 events per hour. Another detector located near the primary system was used to monitor any changes in the background level. No neutrons above the background rate were detected during these initial

experiments. We then focused our attention on the report of the excess heat result also made by the University of Utah group.

### EXPERIMENTAL APPARATUS

Four calorimetry cells were constructed with an electrolyte volume of 300 cc in a 54-mm-o.d. quartz envelope. A diagram of the calorimetry cells is shown in Fig. 1. Each cell contained a Teflon plug in the top of the container with a number of penetrations for electrical connections, heavy water refilling, and sampling. Two 6.35-mm Teflon rods projected through the top plug to support the palladium cathode rod in the center of the envelope. The Teflon rods were spring loaded to allow for expansion of the palladium electrode during charging with deuterium. The anode was helically wound from platinum wire on the inside of a perforated quartz tube. The anode helix was wound on a mandrel and allowed to spring against the inside of the quartz tube for support. No internal recombiner was used to catalyze the recombination of the gases produced by electrolysis back into heavy water. The  $D_2$  and  $O_2$  gases were allowed to escape through a vent hole in the top Teflon plug. The quartz cells were placed inside Teflon cylinders that in turn were immersed in a temperature controlled water bath. A 2.5-mm gap between the quartz and the Teflon cylinder was filled with  $D_2O$  and contained a platinum resistance temperature detector (RTD). Another platinum RTD was placed in the water bath adjacent to the Teflon socket. A cell containing a resistance heater similar in size to the palladium cathode and identical in construction to the actual cells was placed into each Teflon socket, prior to activation of the cells, for calibration. Varying amounts of electrical power were applied to the resistance heater, and the temperature difference across the Teflon was noted for each setting. Calibration curves for three of the cells are shown in Fig. 2. The calibration data were fitted with a fourth order polynomial for use with the cell calorimetry data. The second order term was very small and the third and fourth order terms nearly zero. The cells were periodically re-calibrated during the course of the experiments, as well as whenever the bath temperature was altered. A shielded neutron counting chamber

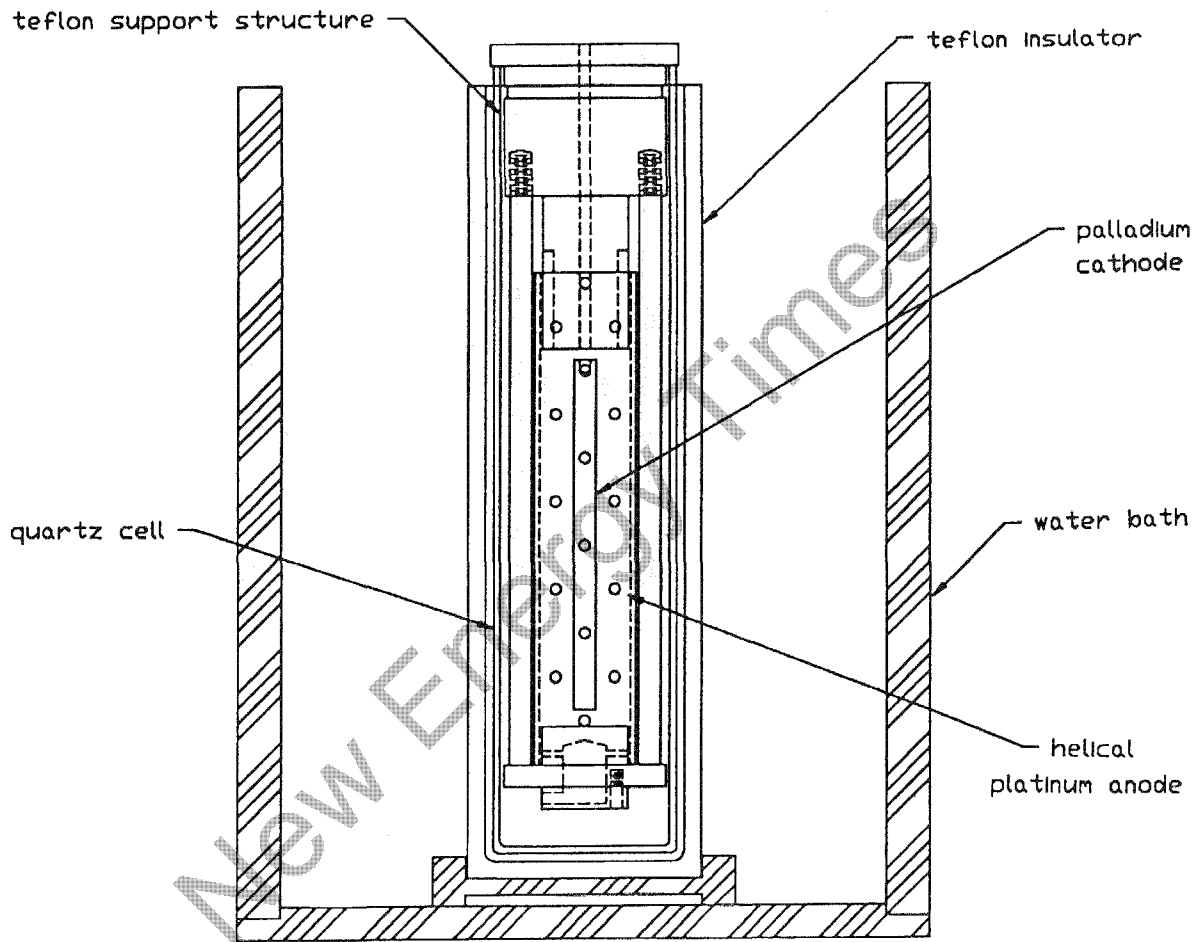


Fig. 1. Diagram of the design of the calorimetry cells.

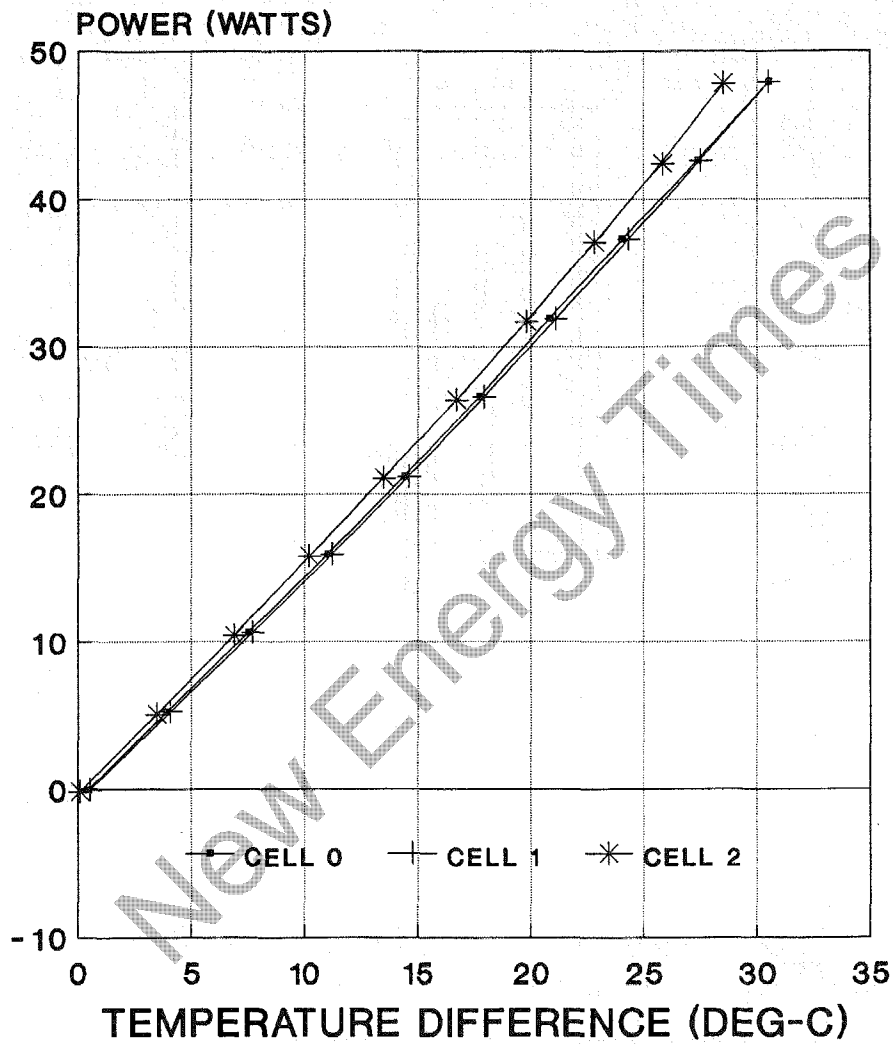


Fig. 2. Calibration curves for three of the calorimetry cells.

was prepared next to the constant temperature baths to permit neutron counting of the cells during operation without interruption of the electrolysis.

### ELECTRODE PREPARATION

Two of the cells contained 6.35-mm-diam  $\times$  10-cm-long annealed palladium cathodes, one of which was pre-charged in  $D_2$  gas to a stoichiometry of 0.6 and immersed in a 0.2-M  ${}^6\text{LiOD}$  electrolyte; one cell contained a pre-charged annealed cathode immersed in a 0.1-M  ${}^6\text{LiOD}$  electrolyte solution; and one cell used a cast 1.27-cm-diam  $\times$  10-cm-long palladium rod in a 0.2-M electrolyte. Annealing was performed by heating the rods to a temperature of  $900^\circ\text{C}$  for 4 hours in vacuum. The cast 1.27-cm-diam rod and the 6.35-mm-diam non-pre-charged rod were baked at  $200^\circ\text{C}$  in vacuum for 24 hours to remove any residual protium before being placed in operation. The experimental parameters for the palladium cathodes are summarized in Table 1. The three 6.35-mm-o.d. rods were purchased from Johnson-Matthey. The cast rod was fabricated from stocks of palladium obtained at ORNL.

### RESULTS

The cells were operated at an initial current density of  $50\text{ mA/cm}^2$  for 48 hours and then at a current density of  $250\text{ mA/cm}^2$  for over 1800 hours. Referring to the cell numbering from Table 1, cells #1, #2, and #3 remained in power balance within an experimental uncertainty of  $\pm 1\text{ W}$  for the duration of the experiments. However, cell #0 exhibited an apparent excess power level of approximately 3 W for a 300 hour period beginning 180 hours after the beginning of the experiment. This imbalance was approximately 10% of the input power. Our calorimetry cells did not use an internal catalyst to promote the recombination of the electrolyzed gases back into heavy water.  $D_2O$  was added to the cells every twelve hours to replace the water depleted by electrolysis. By carefully recording the water usage rate, we were able to determine that no recombination was occurring in the cells.

The power balance for our cells was determined from the equation

$$P_{\text{imbalance}} = \text{heat output} + \text{electrolysis} - \text{electrical input} .$$

Table 1. Experimental parameters

Cell No.	Electrode Configuration	Electrolyte Concentration	Electrode Conditioning
0	6.35-mm diam	0.2-M LiOD	Annealed
1	6.35-mm diam	0.2-M LiOD	Annealed/ pre-charged/ arsenic added
2	6.35-mm diam	0.1-M LiOD	Annealed/ pre-charged
3	12.7-mm diam	0.2-M LiOD	Cast

## Note:

1. All rods were 100-mm long.
2. The 12.7-mm-diam rod was dropped cast in a chilled copper mold. The rod was x-rayed to identify any possible voids.
3. All rods were heated in vacuum to remove residual protium.
4. Current density = 250 mA/cm<sup>2</sup>.

The heat output of the cells was measured by the calibrated platinum RTDs. The electrolysis term was determined by measuring the make-up water for the cells assuming the exhaust gases were 100% humidified. The electrical input was determined by monitoring the voltage and current going to the cells. The electrolysis cells were driven by computer-controlled constant current sources and the voltages across the electrodes were monitored by a digital-to-analog converter in the control computer. The constant current power supplies were calibrated prior to the experiment. At an operating current density of 250 mA/cm<sup>2</sup>, the total current to the 6.35-mm-diam rod cathodes was 5.03 amps. At this current, 1.70 grams of D<sub>2</sub>O were electrolyzed per hour of operation. Using the value of 70.41 kcal/mol for the heat of formation of heavy water, this electrolysis rate results in 7.635 W of power consumption. Assuming that the exhaust gases have a relative humidity of 100%, the total water consumption rate we calculate

is 1.88 cc/hour corresponding to a total electrolysis power level of 7.77 W, including power due to evaporation. The consumption of D<sub>2</sub>O was monitored over the entire course of the experiment. Figure 3 shows a graph of the measured replenishment rate for the first 21 days of the experiment. The open circles are the measured values and the straight line is a straight line fit to the data points. The fitted value of 1.87 cc/hour is in excellent agreement with the predicted value of 1.88 cc/hour. Using this result the heat balance equation becomes

$$P_{\text{imbalance}} = \text{heat} + 7.77 \text{ W} - V_{\text{cell}} \times I_{\text{cell}} .$$

In addition to control of the power supplies and constant monitoring of the cell parameters, the control computer was programmed to sweep the cell current once each hour. The duration of the current sweep was 5 seconds. The slope of the I-V curve is the electrolyte resistance.<sup>2</sup> By multiplying the square of the cell current by this quantity, the ohmic power deposited in the electrolyte may be determined. Figure 4 contains a plot of the measured parameters of cell #0 for the first 600 hours of operation. The lower curve, represented by the dots, is the ohmic power,  $I_{\text{cell}}^2 \times R_{\text{electrolyte}}$ , deposited in the electrolyte. The curve represented by the asterisks is the measured calorimeter power output determined by comparing the temperature difference across the Teflon with the calibration curve obtained with the electrical resistance heater. The curve represented by the x's is the electrical input power to the cell,  $V_{\text{cell}} \times I_{\text{cell}}$ . Finally, the curve represented by the (+) symbol is the sum of calorimeter plus the electrolysis power value of 7.77 W. During the initial 75 hours of the experiment, cell #0 exhibited a slight negative heat balance. At a level of less than 2 W tapering to zero at approximately 75 hours, this indicates an energy storage of approximately 270 kJ. This far exceeds the hydride heat of formation value of approximately 3 kJ calculated for these rods. Cell #0 remained in balance until the 180 hour mark when a positive imbalance of 2 W was observed. Twelve hours after this apparent excess heat event began, the temperature of the water bath was inadvertently changed from an initial value of 18°C to 13°. The ohmic power increased at this point due to the increased electrolyte resistance at the lower temperature. The input power also increased with

ORNL/DWG 90-7155

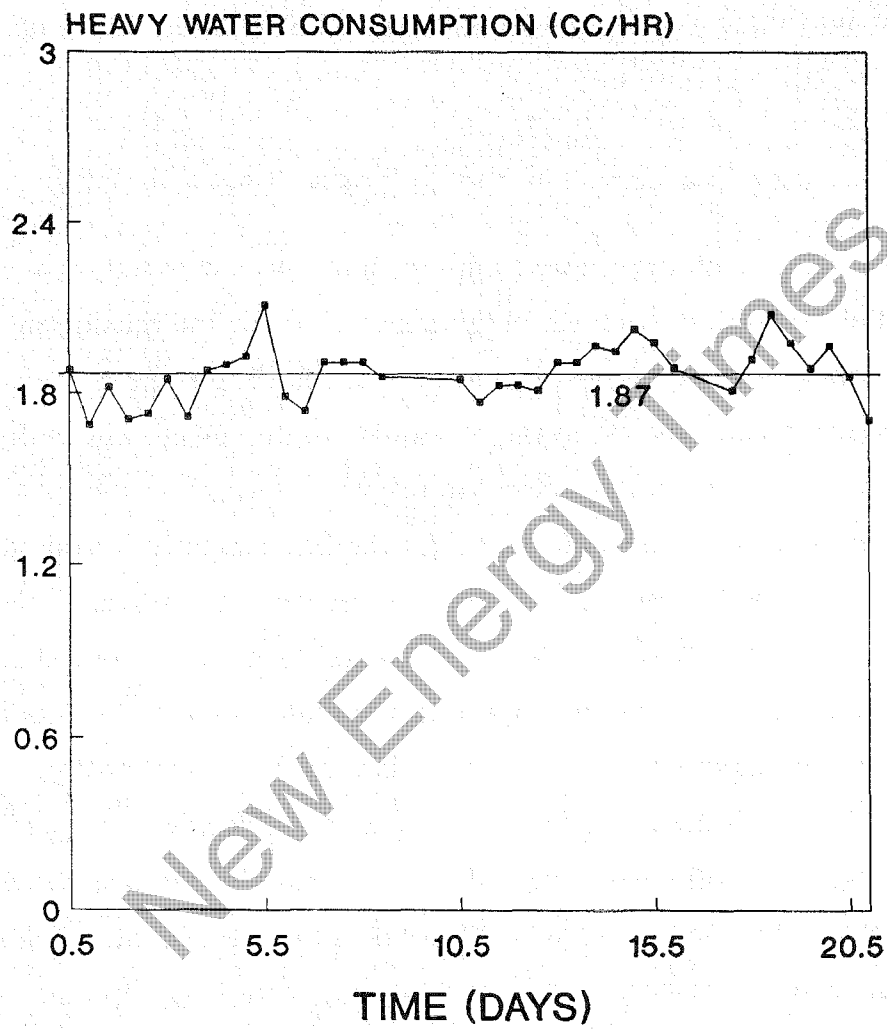


Fig. 3. Heavy water consumption in cell #0 for the first 21 days of operation.



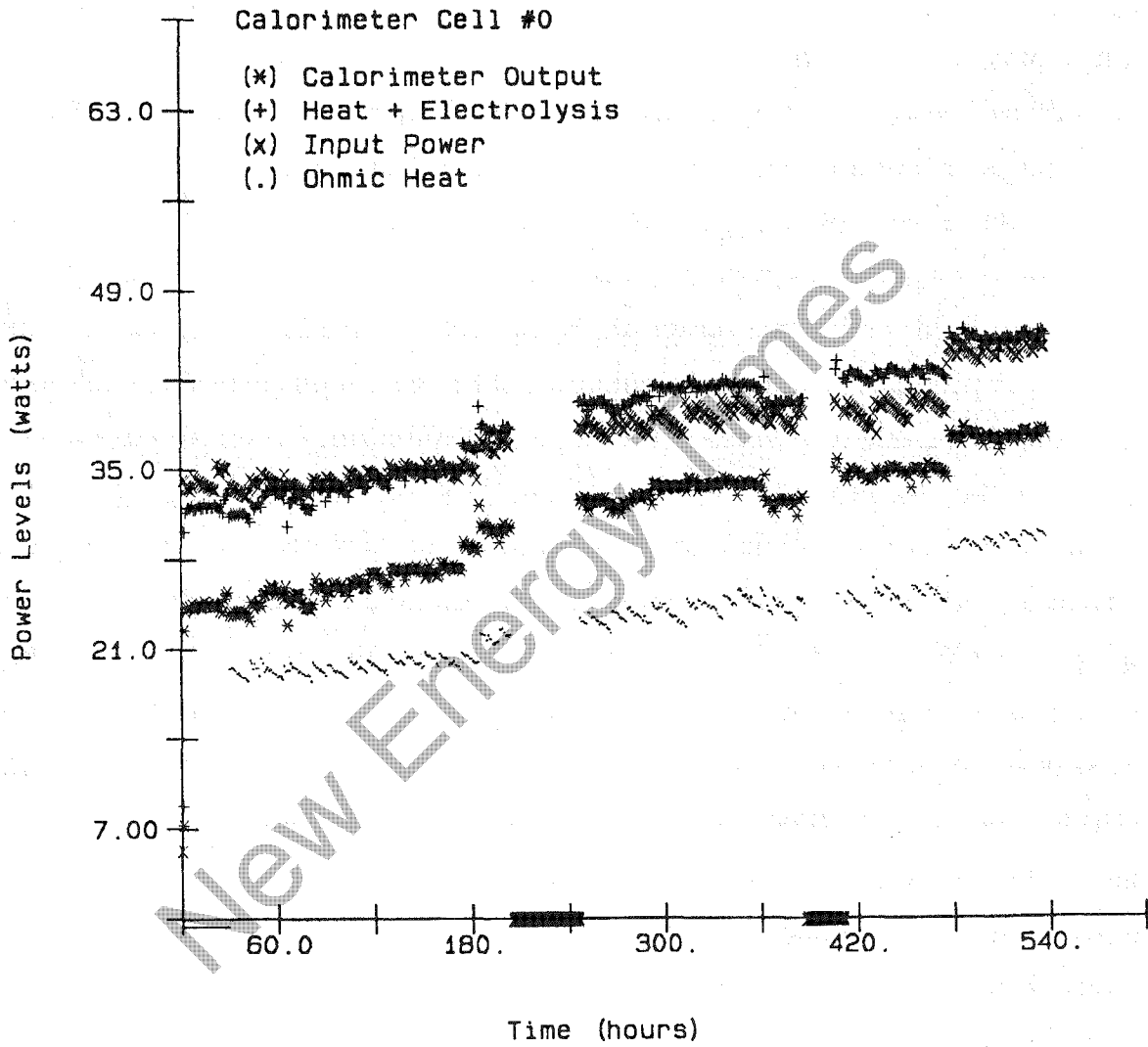


Fig. 4. The measured output parameters of cell #0.

the increased electrolyte resistance because the cells were driven by constant current sources. The calorimeter output also increased with the lower temperature and maintained the 2 W excess. The sawtooth behavior, which is most evident on the input power and ohmic power curves, with a period of approximately 12 hours, occurred because of the changing level of liquid in the cell due to electrolysis and the periodic refilling twice a day. As the liquid level decreases, the heat transfer area changes and the electrolyte resistance decreases as the molality increases. Although the effect of these changes is not accurately known, we only use data taken at the peaks of the sawtooth, where we know the calibration is accurate, for evaluation. The gap in the data represents a period when the cell was removed from the calorimeter socket for 30 hours. During this period, the socket was re-calibrated at the lower temperature and the cell was placed in the neutron counter. All of the parameters of the cell were monitored during this time except heat output. We arbitrarily chose to display data taken only when the cell was in the socket. The imbalance increased slightly until the 370 hour mark when the temperature of the bath was deliberately raised to 18°C. The imbalance nearly disappeared but recovered and increased over the next 120 hours to slightly over 3 W. At approximately 480 hours the cell bath temperature was lowered to 5°C in an attempt to study the effect of temperature changes on the imbalance. The excess power disappeared at this point and repeated temperature and current cycling failed to reproduce the effect. The power balance for cell #0 for the first 25 days of operation is shown in Fig. 5. The data were averaged over a twelve hour period for this graph. We continued the experiment for a total period of 1800 hours with no recurrence of the excess heat observation. The other cells remained in accurate power balance during the entire experimental period. During the observation of heat imbalance in cell #0, cells #0 and #1 were switched in their calorimeter sockets to verify that the apparatus was working properly. The power readings for each cell during this period were consistent with the calibrations for both cells, the measured imbalance in cell #0 remained irrespective of the calorimeter socket used.

### ADDITIONAL MEASUREMENTS

Shortly after the power imbalance was discovered, cell #0 was removed from the calorimetry socket and placed in a shielded neutron counter containing a pair of NE213 scintillator detectors with pulse shape discrimination. The neutron emission level of the cell was determined to be less than  $1 \times 10^{-24}$  neutrons/sec/d-d pair, as set by the background level of the counting system. The tritium level of the initial electrolyte fill of D<sub>2</sub>O was measured to be  $1.0 \times 10^6$  dpm/cc and increased to a level of  $1.3 \times 10^6$  dpm/cc 50 hours after the beginning of the apparent excess power production. The accuracy of the tritium measurement was at best 10%; because of this uncertainty we draw no conclusions from our measurement.

### CONCLUSIONS

During a period of approximately 300 hours, one cell of four exhibited a positive power imbalance of 2-3 W after a short period of negative imbalance. The mechanism responsible for this behavior has not been identified; it appears to be a transitory effect with some dependence on temperature.

### ACKNOWLEDGMENT

The authors are grateful to F. G. Perey, R. R. Spencer, and J. K. Dickens for construction, calibration, and operation of the NE213 neutron detector used during the initial phase of this research.

### REFERENCES

1. Martin Fleischmann and Stanley Pons, J. Electroanal. Chem. 261, 301-8 (1989).
2. J. S. Bullock, IV, G. L. Powell, and D. P. Hutchinson, Electrochemical Factors in Cold Fusion Experiments, TM Y/DZ-490, Visuals prepared for Workshop on Cold Fusion Phenomena, Sant Fe, New Mexico, May 23-25, 1989, Martin Marietta Energy Systems, Inc., Oak Ridge Y-12 Plant, May 1989.

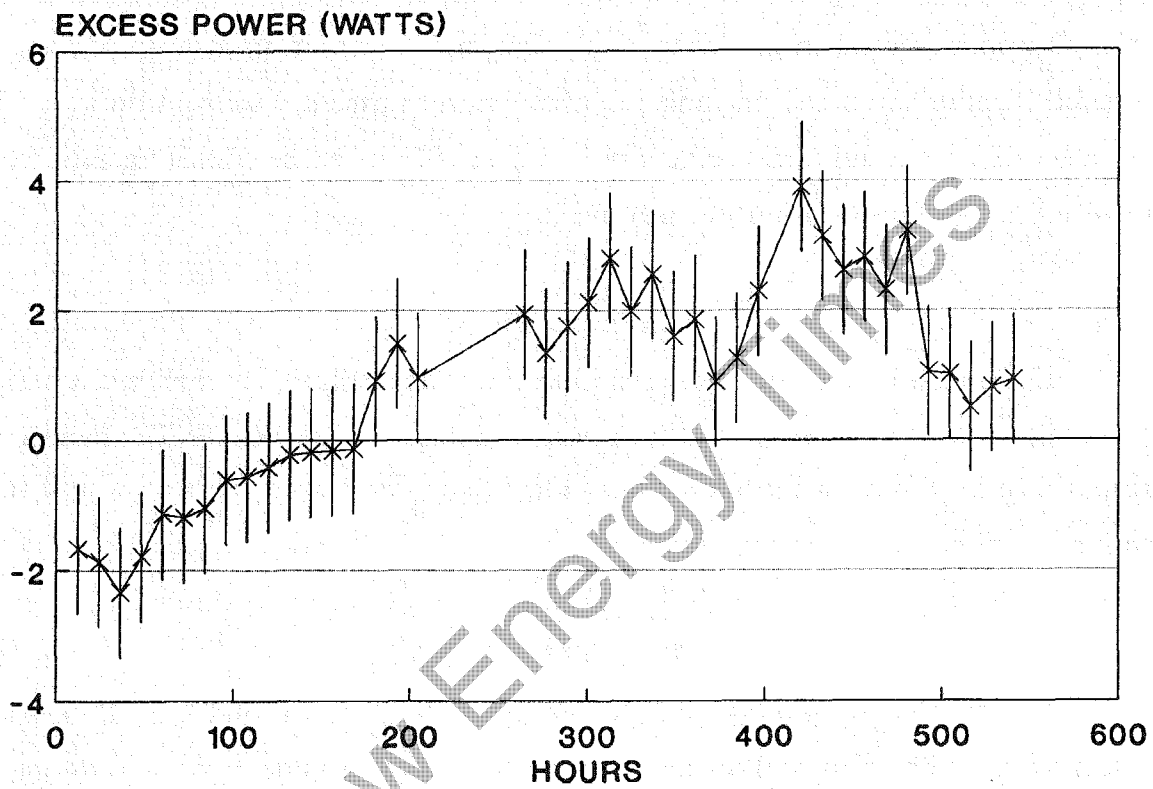


Fig. 5. Power balance plot for cell #0.

## INTERNAL DISTRIBUTION

- |                         |  |
|-------------------------|--|
| 1. B. R. Appleton       | 71. M. J. Saltmarsh                            |
| 2-6. J. S. Bullock      | 72. J. Sheffield                               |
| 7. J. K. Dickens        | 73. K. L. Vander Sluis                         |
| 8. E. L. Fuller         | 74-75. Controlled Fusion<br>Atomic Data Center |
| 9. D. C. Gregory        | 76. Central Research Library                   |
| 10. C. C. Havener       | 77. Document Reference Section                 |
| 11. H. T. Hunter        | 78-79. Laboratory Records                      |
| 12-36. D. P. Hutchinson | 80. Laboratory Records, RC                     |
| 37. C. H. Ma            | 81. ORNL Patent Section                        |
| 38. F. W. Meyer         | 82. Fusion Energy Div. Library                 |
| 39. F. G. Perey         | 83. Fusion Engineering<br>Design Center        |
| 40. R. A. Phaneuf       |  |
| 41-45. G. L. Powell     |  |
| 46-70. R. K. Richards   |  |

## EXTERNAL DISTRIBUTION

84. Office of the Assistant Manager for Energy Research and Development, Department of Energy, Oak Ridge Operations, Box E, Oak Ridge, TN 37831
85. J. Appleby, 238 Wisenbaker Eng. Research Center, Texas Engineering Experiment Station, The Texas A&M Univ. System, College Station, TX 77843-3577
86. A. J. Bard, Dept. of Chemistry, Univ. of Texas at Austin, Welch 4218, Austin, TX 78712
- 87-91. C. A. Bennett, Dept. of Physics, Univ. of North Carolina-Asheville, Asheville, NC 28814
92. J. O'M. Bockris, Dept. of Chemistry, Texas A&M Univ., College Station, TX 77843
93. P. Bond, Brookhaven National Laboratory, Physics Department, 510A, 20 Pennsylvania St., Upton, NY 11973
94. J. Bray, General Electric Research Dev. Center, Bldg. K-1, Rm. 1C25, River Rd., Schenectady, NY 12301
95. T. K. Chaki, Mechanical and Aerospace Eng., State Univ. of New York, Buffalo, NY 14260
96. B. Chexal, Nuclear Power Division, Electric Power Research Institute, 3412 Hillview Ave., P.O. Box 10412, Palo Alto, CA 94303
97. C. W. Chu, Texas Center for Superconductivity, Univ. of Houston, Houston, TX 77204-3906
98. T. B. Flanagan, Program in Materials Science, Univ. of Vermont, Burlington, VT 05405
99. M. Fleischmann, Univ. of Utah, 2420 Henry Eyring Bldg., Salt Lake City, UT 84112
100. R. Gajewski, Office of Basic Energy Sciences, ER-16, G-347/GTN, U.S. Dept. of Energy, Washington, DC 20545
101. R. Goldstein, Electric Power Research Institute, 3412 Hillview Ave., P.O. Box 10412, Palo Alto, CA 94303
102. P. Hagelstein, Rm. 38-290, 77 Massachusetts Ave. M.I.T., Cambridge, MA 02139

DO NOT MICROFILM  
THIS PAGE

103. N. Hoffman, Rockwell International Corporation, Energy Technology Engineering Center, P.O. Box 1449, Canoga Park, CA 93104
104. F. Huband, Division of Electrical & Communication Systems, National Science Foundation, 1800 G. St., N.W., Rm. 1151, Washington, DC 20550
105. R. Huggins, Dept. of Material Science, Stanford Univ., Bldg. 550, Rm. 5501, Stanford, CA 94305
106. R. Jaffee, Electric Power Research Institute, 3412 Hillview Ave., P.O. Box 10412, Palo Alto, CA 94303
107. S. Jones, Dept. of Physics & Astronomy, 176 ESC, Brigham Young Univ., Provo, UT 84602
108. J. Jordan, Dept. of Chemistry, Pennsylvania State Univ., University Park, PA 16802
109. Y. E. Kim, Dept. of Physics, Purdue Univ., West LaFayette, IN 47907
110. M. Louthan, Westinghouse Savannah River Company, Savannah River Site, 773-41A, Aiken, SC 29808
111. M. McKubre, SRI International, 333 Ravenswood Ave., Menlo Park, CA 94025
112. H. O. Menlove, Los Alamos National Laboratory, Los Alamos, NM 87544
113. W. E. Meyerhof, Dept. of Physics, Stanford Univ., Stanford, CA 94305-4060
114. G. H. Miley, Univ. of Illinois, Fusion Studies Laboratory, 103 S. Goodwin Ave., Urbana, IL 61801
115. K. Myles, Argonne National Laboratory, Electrochemistry Technology Program, 9700 South Cass Ave., Bldg. 205, Argonne, IL 60439
116. R. Oriani, Chemical Engineering & Materials Science, Univ. of Minnesota, 151 Amundson Hall, Minneapolis, MN 55455
117. S. Pons, Univ. of Utah, 2420 Henry Eyring Bldg., Salt Lake City, UT 84112
118. J. Rafelski, Dept. of Physics, Univ. of Arizona, Tucson, AZ 85721
119. G. Riel, Radiation Physics Division, CR-41, U.S. Naval Surface, Weapons Center, White Oak, Silver Spring, MD 20910
120. A. Riley, National Cold Fusion Inst., 390 Wakara Way, Salt Lake City, UT 84108-1214
121. H. Rossi, National Cold Fusion Inst., 390 Wakara Way, Salt Lake City, UT 84108-1214
122. G. Schoessow, Dept. of Nucl. Engineering Sciences, Univ. of Florida, 202 Nuclear Science Center, Gainesville, FL 32611
123. T. Schneider, Electric Power Research Institute, 3412 Hillview Ave., P.O. Box 10412, Palo Alto, CA 94303
124. J. Santucci, Nuclear Power Division, Electric Power Research Institute, 3412 Hillview Ave., P.O. Box 10412, Palo Alto, CA 94303
125. C. Starr, Electric Power Division, Electric Power Research Institute, 3412 Hillview Ave., P.O. Box 10412, Palo Alto, CA 94303
126. E. Storms, Los Alamos National Laboratory, Mail Stop C348, Los Alamos, NM 87545
127. H. Szu, Naval Research Laboratory 57-56, Bldg. 210, Rm. 1136, 4555 Overlook Ave., Washington, DC 20335-5000
128. C. Talcott, Los Alamos National Laboratory, Mail Stop C348, Los Alamos, NM 87545
129. E. Teller, Lawrence Livermore National Laboratory, L-O, 7000 East Ave., P.O. Box 808, Livermore, CA 94550
130. D. Thompson, Johnson-Matthey Technical Center, Blount's Court, Sonning, Commen, Reading, RG-49 N 11, United Kingdom
131. N. Tolc, Dept. of Physics and Astronomy, Vanderbilt Univ., Nashville, TN 37235

DO NOT MICROFILM  
THIS PAGE

132. M. Wadsworth, College of Mines & Earth Sciences, Univ. of Utah, 209 Browning Bldg., Salt Lake City, UT 84112
133. P. Werbos, National Science Foundation, Division of Electrical & Communications Systems, 1800 G. St., N.W., Rm. 1151, Washington, DC 20550
134. J. Werth, Engelhard Corporation, Menlo Park, Edison, NJ 08818
135. K. B. Whaley, Dept. of Chemistry, Univ. of California, Berkeley, CA 94720
136. F. Will, National Cold Fusion Inst., 390 Wakara Way, Salt Lake City, UT 84108-1214
137. K. Wolf, Dept. of Chemistry, Texas A&M Univ., Cyclotron Inst., College Station, TX 77843
138. D. Worledge, Electric Power Research Institute, 3412 Hillview Ave., P.O. Box 10412, Palo Alto, CA 94303
139. M. S. Wrighton, Dept. of Chemistry, M.I.T., 77 Massachusetts Ave., Rm. 6-335, Cambridge, MA 02139
140. E. Yeager, Dept. of Chemistry, Case Western Reserve Univ., Morley Blvd., Rm. 108, Cleveland, OH 44106
- 141-
150. Office of Scientific and Technical Information, P.O. Box 62, Oak Ridge, TN 37831

**DO NOT MICROFILM  
THIS PAGE**

New Energy Times